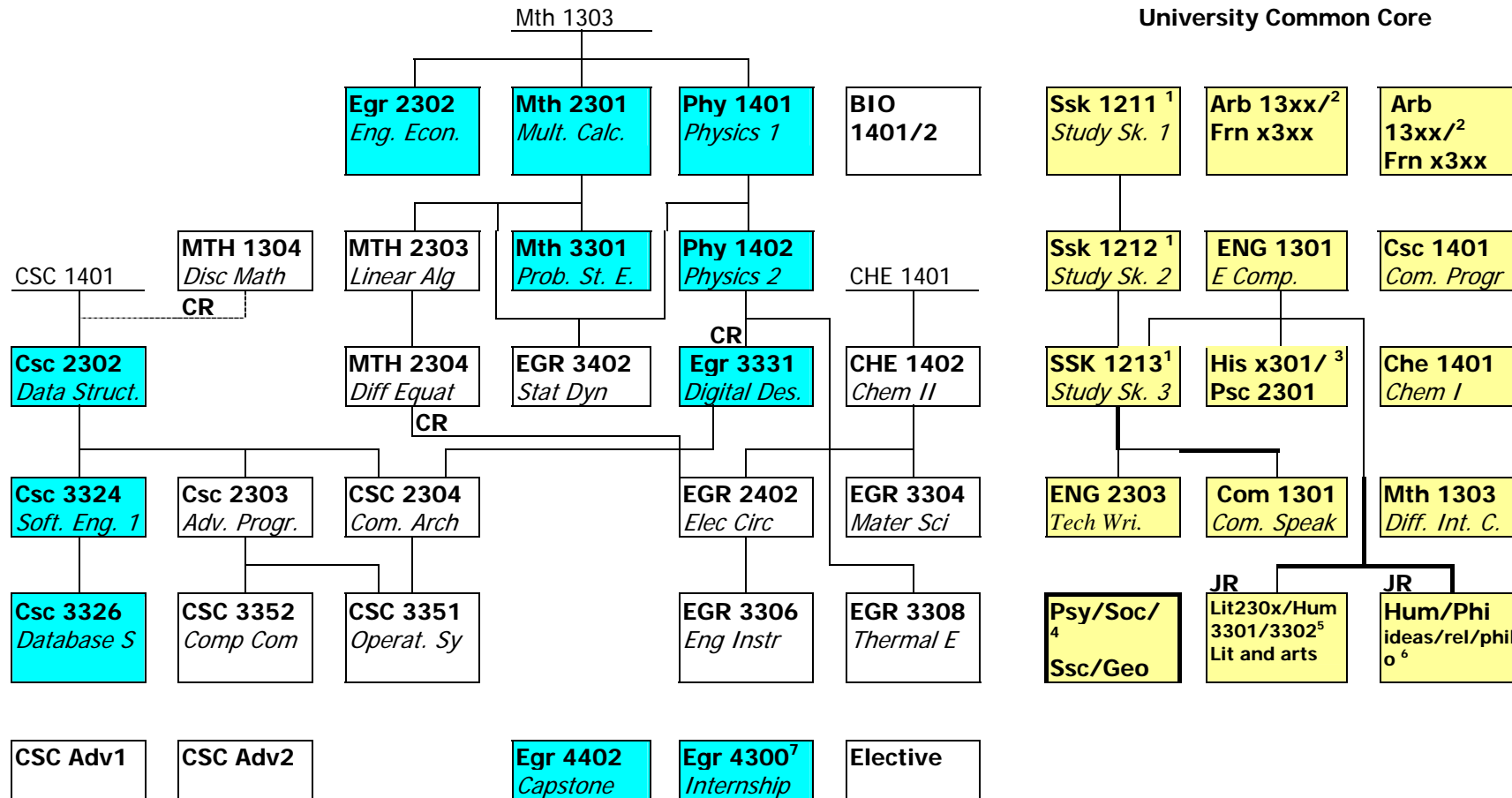


Student Name: \_\_\_\_\_

ID # \_\_\_\_\_

Advisor: \_\_\_\_\_



CR: Co-requisite

JR: Junior Standing for HUM330x

<sup>1</sup> Ssk 121x courses should be taken in the first semesters.

<sup>2</sup> Arb 13xx or Frn x3xx: Registration by placement tests only.

<sup>3</sup> Select **one** course: His 1301, His 2301, **or** Psc 2301.

<sup>4</sup> Select **one** course: Geo 1301, Psy 1301, Soc 1301, **or** Ssc 1310.

<sup>5</sup> Select **one** course: Lit 230x, Hum 3301, Hum 3302, **or** Hum 3303 (Arabic version)

<sup>6</sup> Select **one** course: Hum 3305, Hum 3306, **or** Phi 230x.

<sup>7</sup> Two options: (1) Internship in summer **or** (2) 7-SCH Internship for 4-6 months: Internship + Capstone

**NOTE:** The box from which a line originates indicates the pre-requisite for the destination box.  
**This flowchart is subject to change at any time by appropriate action of the University.**

**Update: 10 October 2008**